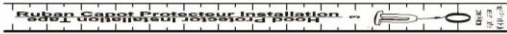


# FORM FIT Hood Protector Installation Instructions

HD 10C15  
Hyundai Sonata 2015-2017

## PARTS LIST

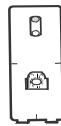
Hood deflector installation tape



Hood protector



Large pedestals (3)



Small pedestals (2)



Pins (5)



Screws (5)



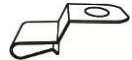
Anti-abrasion pads (5)



Large metal mounting brackets (3)



Small metal mounting brackets (2)



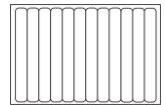
Bumpons (2)



Surface cleaner (1)



Re-usable tape strips (1)



## TOOLS AND SUPPLIES REQUIRED

Long Shank Phillips Screwdriver #2

Masking Tape

Clean cloth or paper towel

## INSTALLATION

- Make sure the vehicle is clean and completely dry before installation.
- This product uses a 3M adhesive that requires installation and curing temperatures of 15° to 43°C (60° to 110°F) for 1 hr to develop maximum adhesion to the hood surface. Failure to install this product at the proper temperature or allow adequate curing time before use is not covered under warranty.



- Proper installation of the adhesive pedestal system requires the use of a #2 Phillips screwdriver, preferably with a long shaft. The shaft of the screwdriver needs to fit through the hole in the pedestal. Use of the correct screw driver will facilitate a trouble free installation. Do not attempt to use #1 or smaller Phillips screwdriver or any type of electric screwdriver.



## CARE

Hand clean the protector using a mild soap and water solution or plastic cleaner only. Avoid automatic car-wash equipment where a brush and/or soft cloth come in contact with the hood protector. Touch-less style automatic car-wash equipment is less likely to harm the hood protector.

## SERVICE

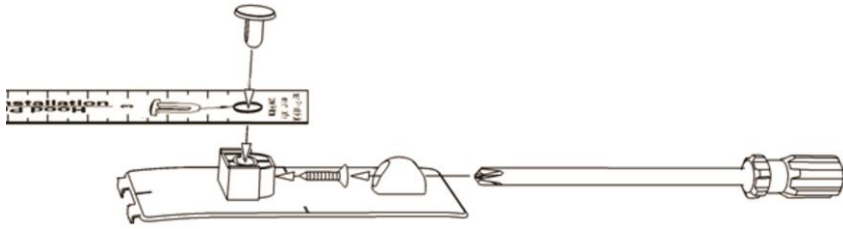
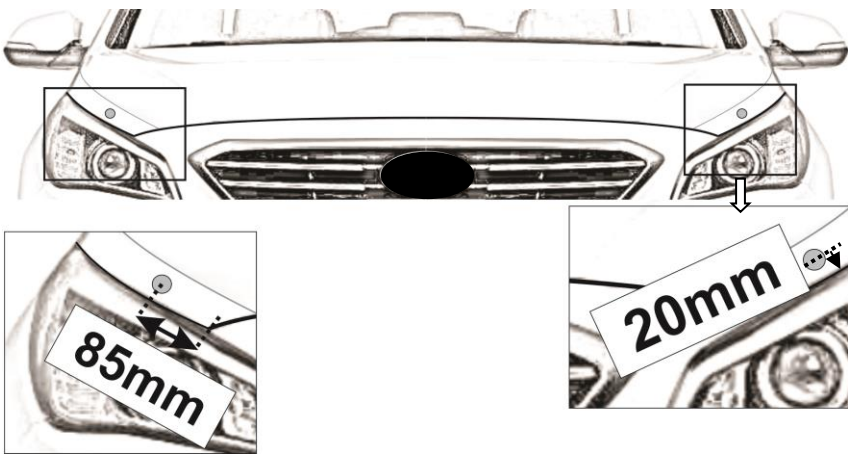
Periodically check to confirm the protector is securely attached to the hood.

## WARNING

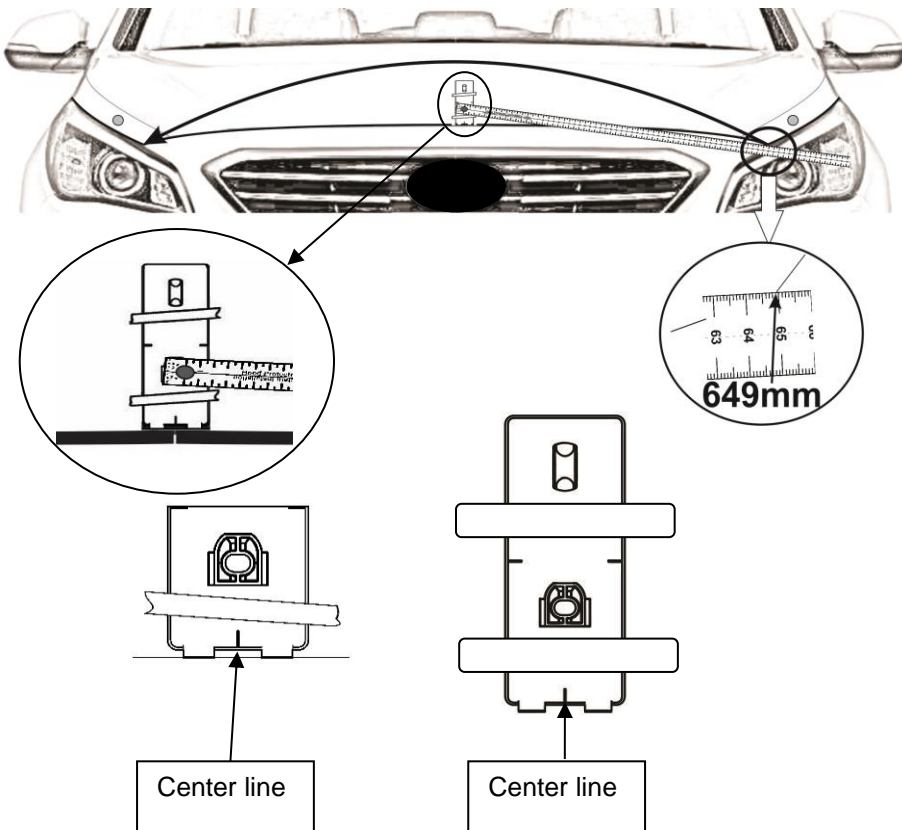
Do not pull/push on the protector when opening/ closing the hood.

## NOTE

On some vehicles it may be necessary to adjust the hood bumpers and/or latch for proper clearance.



**\*\*Tape measure is always located below the measuring point\*\***



1. Install the two (2) bumpons as shown.  
**Attention: Bumpons must be installed on the hood, not on the protector!!!** If the bumpons are installed on the protector, they may wear through the paint.

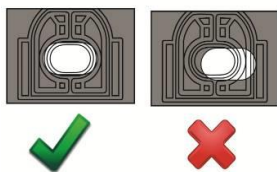
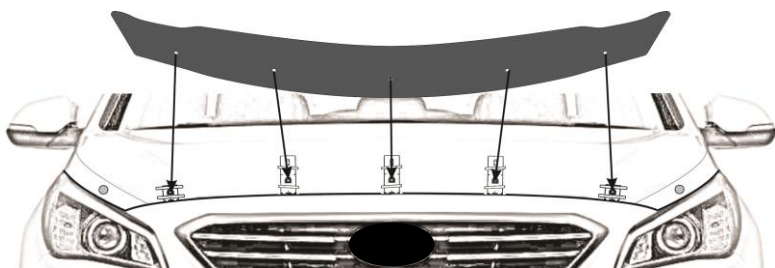
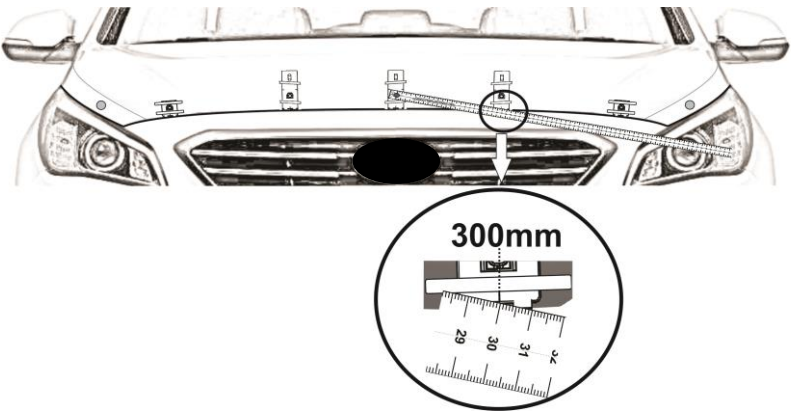
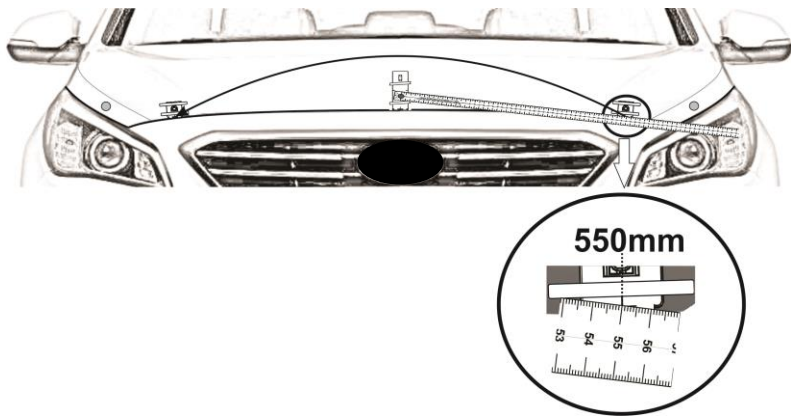
**Locate the center pedestal.**

2. Insert a pin through the hole in the hood protector installation tape measure supplied and into one of the large adhesive pedestals.
3. Install one of the screws into the pedestal.
4. Using masking tape or the re-usable tape strips or masking tape, dry fit the large adhesive pedestal at the center of the hood.

**NOTE:** The fingers incorporated on the leading edge of the pedestal ensure the correct position relative to the hood edge. When correctly positioned the fingers should contact the leading edge of hood.

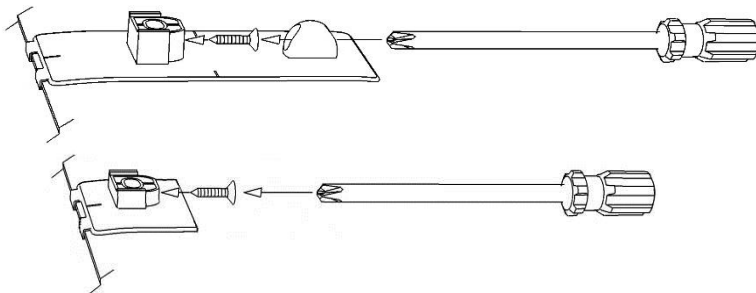
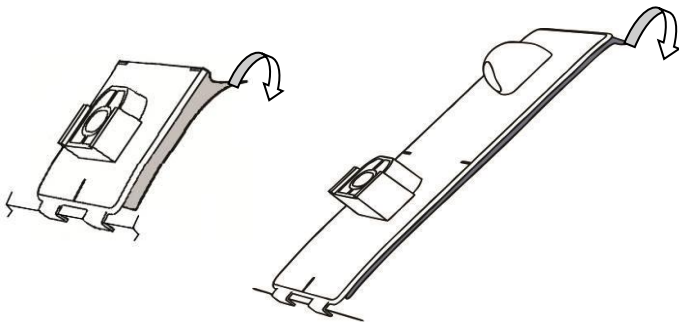
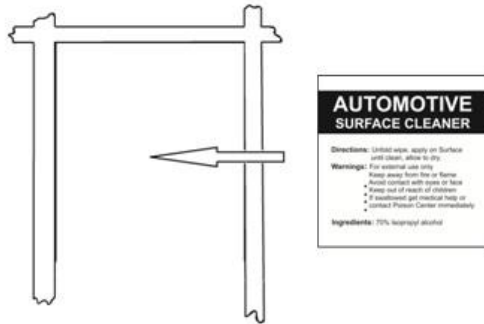
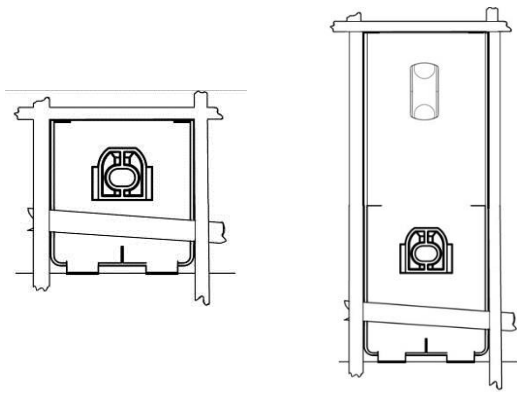
- Use the installation tape to confirm the pedestal is centered by measuring to the two front corners of the hood. Move the pedestal left or right until it is perfectly centered.

5. Dry fit the remaining pedestals using tape strips supplied or masking tape to temporarily hold them in position.



The positions of the pedestals are shown in the **illustrations**. Use the center line on the leading edge of the pedestals for accurate measuring. The fingers incorporated on the leading edge of the pedestal will help ensure the correct position relative to the hood edge. When correctly positioned the fingers should contact the leading edge of the hood.

- 6 Remove the hood protector installation tape measure by loosening the screw and removing the pin. Place the hood protector on the pedestals to confirm proper positioning. Ensure the holes in the protector align with those in the pedestals. If necessary, reposition the pedestals so all attachment positions are correct and the protector is well centered.



7. Remove the hood protector and outline the perimeter of the pedestals with tape strips or masking tape.

8. Remove the pedestals and thoroughly clean the outlined area with a surface cleaner. Wipe dry with a clean cloth or paper towel. This will insure all wax, finger prints and oils are removed from the hood surface in the bonding area.



**Important! Proper preparation of the hood surface will ensure maximum adhesive bond.**

9. One pedestal at a time, remove the red backing from the adhesive and install on the hood surface.

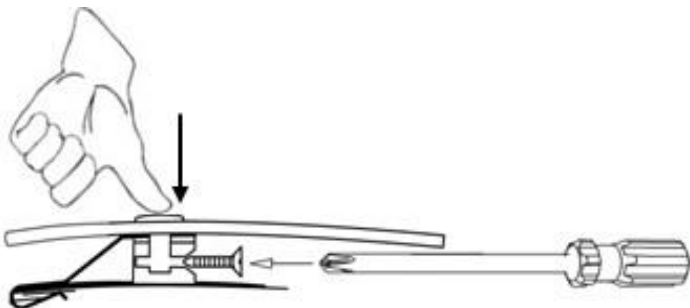
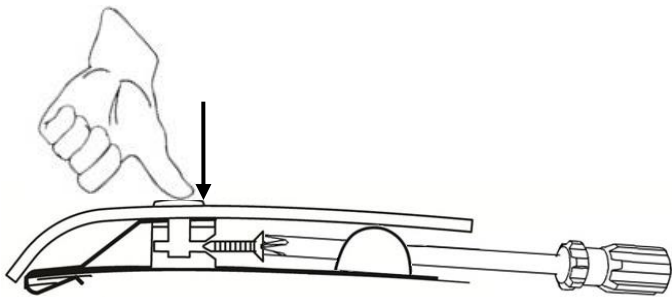
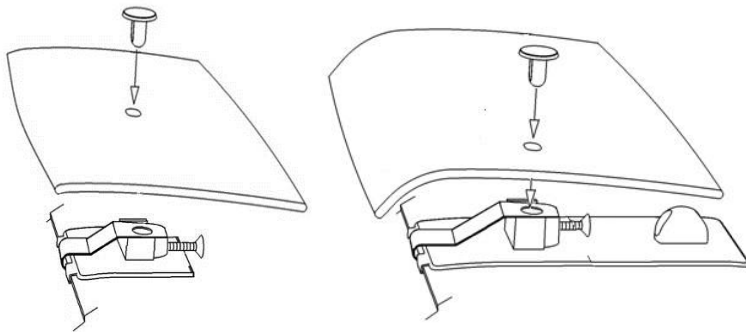
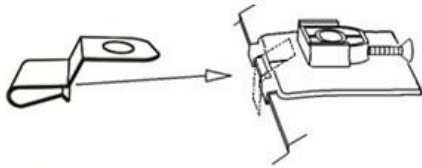
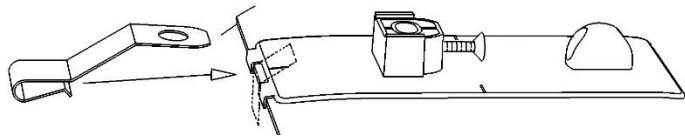
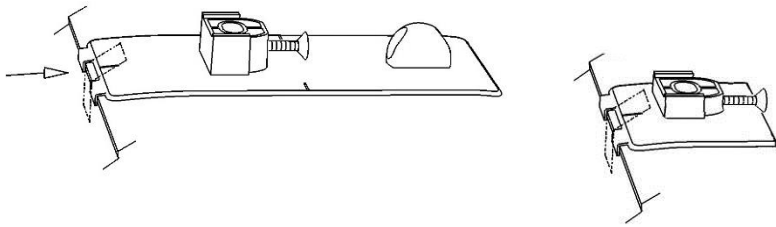
**Use caution to not contaminate the adhesive surface**

**Tip:** Hook the fingers on the pedestal over the hood edge and rotate the unit into position. After installation, remove the tape strips and “wet out” the pedestal base by applying pressure with your thumb around the surface of the pedestals.



**Important: “wetting out” of the pedestals will ensure maximum adhesive bond**

10. Start a screw into each pedestal a few turns. The tip of the screw must not protrude into the hole where the attachment pin will install later.



11. Peel and fold the anti-abrasion pads in half over the hood edge between the fingers on each of the pedestals.
  
12. Push metal mounting brackets over the hood edge aligned with the anti-abrasion pads. Ensure the bracket is fully seated over the hood edge and the hole in the bracket is aligned with the hole in the pedestal.
  
13. Place the protector on the pedestals and starting at the center position, install a pin through the protector and into the pedestal. Maintain slight pressure on the pin to ensure proper seating of the components, while simultaneously tightening the screw a few turns. Repeat for remaining pedestal locations.



**NOTE: Only tighten screws a few turns so the pins are held in place but there is some movement of the protector.**

14. Confirm protector is centered on hood. Starting at the center location tighten all the screws that were loosely installed in step 13.



**NOTE: To allow adhesive to cure do not wash your vehicle for 24 hrs. Please inform the customer of this.**