

FORM FIT HOOD PROTECTOR

Nissan Sentra 2007-

HD 13B 07

HARDWARE KIT

- | | |
|--|----------------------------------|
| 3 – Large Bumpers | 4 – 3M Anti-Abrasion Film Pads |
| 3 – Supporting Clips – already attached to the protector | 4 – Clip Bodies |
| 3 – “Pins” – already attached to the protector | 4 – Pins |
| 3 – Push Nuts – already attached to the protector | 4 – # 6 x 5/8” Truss Head Screws |

TOOLS REQUIRED

- 1 – Phillips Screwdriver # 2
- 1 – Tape Measure
- 1 – Grease Pencil



1. Be sure that the hood is clean and dry inside and out. Release the hood, but do not open it.
2. Install the three (3) bumpers as shown in *Illustration #1*. **Attention: The bumpers must be installed on the hood, not on the protector!!!** If the bumpers are installed on the protector, they will wear through the paint.
3. Open the hood.
4. Using a tape measure and grease pencil, measure and mark the center of the leading edge of the hood.
5. Center the protector on the hood by aligning the notch on the leading edge of the protector with the mark determined in previous step.
6. Work from left to right pushing each of the protector supporting clips (already attached to protector) over the edge of the hood. Be sure the protector clips are fully seated against the hood edge. *See Illustrations #2*.
7. With protector centered on the hood, peel and fold an anti-abrasion film pad in half over the edge of the hood, underneath each of the four (4) holes in the protector. *See Illustrations #2 & #3 – Step #7*.
8. a) Place a clip over each of the anti-abrasion film pads on the edge of the hood as shown below in *Illustration #3 – Step #8a*.
b) Insert a pin through the protector into each of the clips. *See Illustration #3 – Step #8b*.
c) Insert a #6 x 5/8” screw through an ‘L’- bracket and into the clip. *See Illustration #3 – Step #8c & 8d*.
d) Make sure all the components are well seated together; the protector is centered on the hood, and then tighten the screws into the clips.
9. On some vehicles it may be necessary to adjust the hood bumpers and/or latch for proper clearance.

Note: Do not pull on the protector when opening or closing the hood.

CARE INSTRUCTIONS

Clean the protector with a mild soap and water solution or plastic cleaner only. Do not use chemicals or solvents. Periodically check to make sure the bumpers are in place and the protector is secure. Avoid using automatic car washes. Do not pull on protector when opening or closing the hood.

Illustration #1 – Bumper Placement

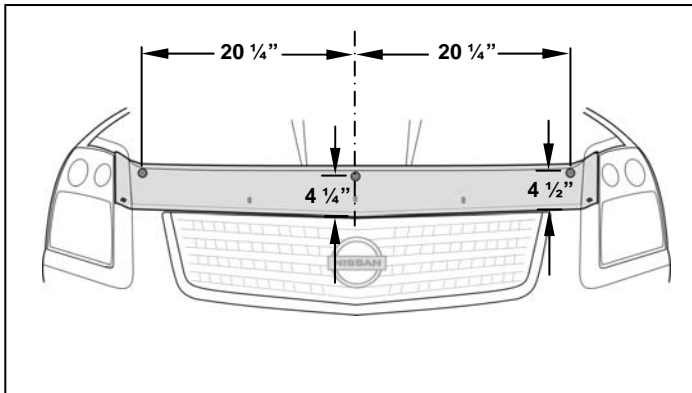


Illustration #2 – Clip Location

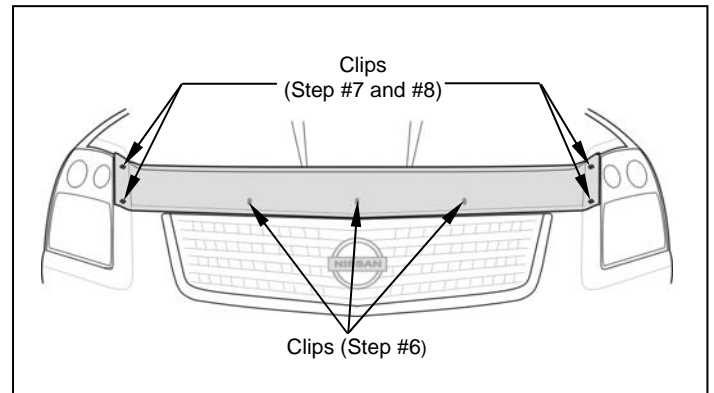
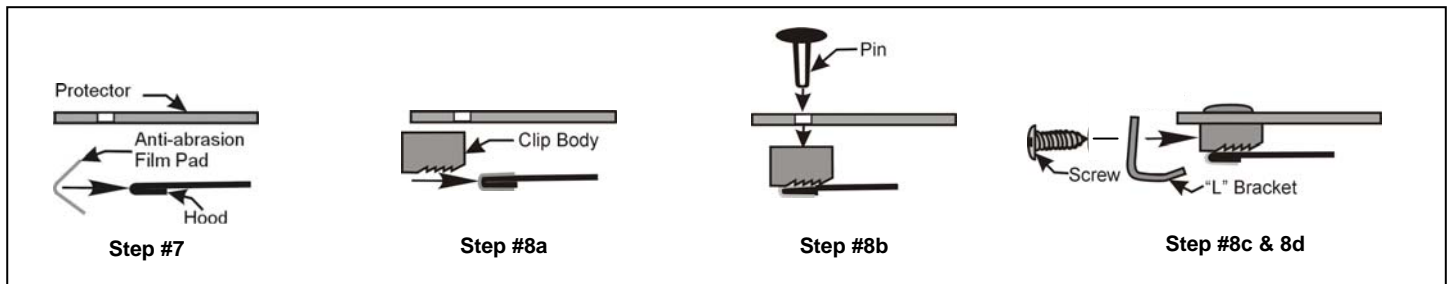


Illustration #3 – Clip Configuration – Patent No. 6,892,427



Thank you for purchasing a **FORM FIT** hood protector.
Retain this sheet for care instructions and hardware kit information.



Rev0.110204